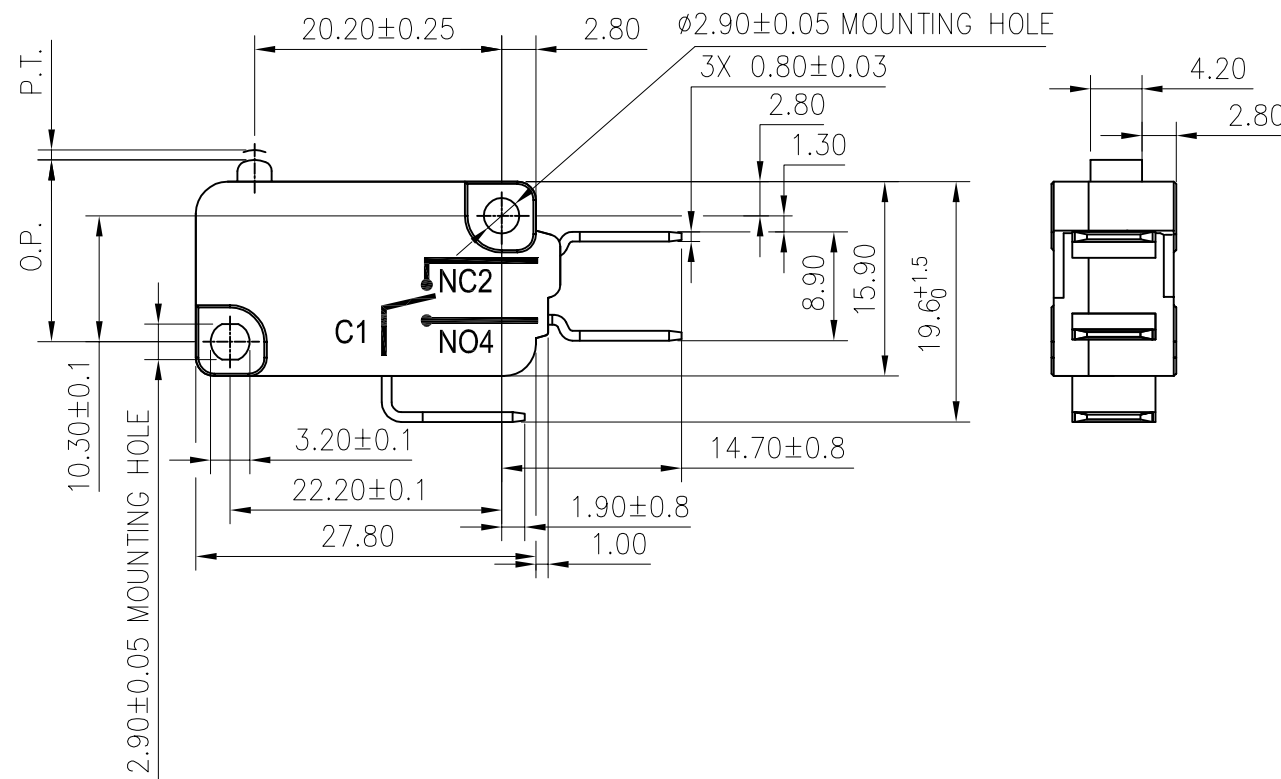
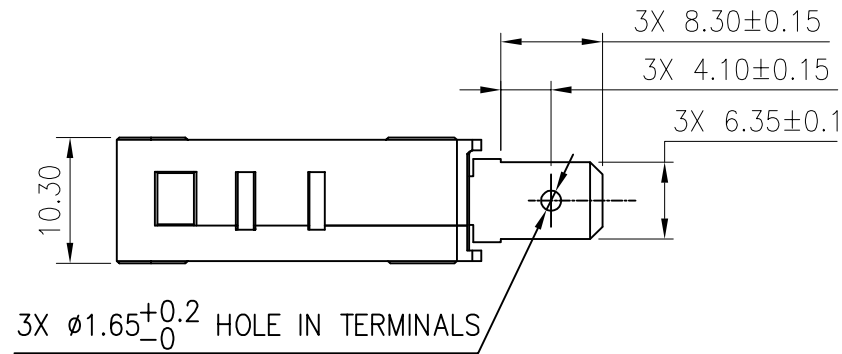


HONEYWELL PART NUMBER
V15T16-CZ100-K
PRODUCT CODE CWF2002

REV	DOCUMENT	CHANGED BY	CHECK
B	0039823	KVS 15MAY08	ASD



NOTES:
1. TERMINALS WILL ACCEPT 6.35 WIDE QUICK CONNECT RECEPTACLES AND COMPLY WITH EN61058-1 REQUIREMENTS.

CHARACTERISTICS	
OPERATING FORCE:	100gf MAX.
DIFFERENTIAL FORCE:	
RELEASE FORCE:	25gf MIN.
FREE POSITION:	
OPERATING POSITION:	14.7±0.5MM.
PRE-TRAVEL:	1.6MM MAX.
DIFFERENTIAL TRAVEL:	0.4MM MAX.
OVER-TRAVEL:	0.8MM MIN.
FULL OVERTRAVEL FORCE:	

ELECTRICAL DATA	
CONTACT ARRANGEMENT	
S.P.D.T	
	16(4)A 250V~ 25T125 μ 5E4
	16A 1/2HP 125/250VAC

DESIGN UNITS: MM	
TOLERANCES UNLESS NOTED:	
NO PLACE	X ± -
ONE PLACE	.X ± -
TWO PLACE	.XX ± 0.40
THREE PLACE	.XXX ± -
ANGLES	X ± 2°
THIRD ANGLE PROJECTION	

DRAWN	KSR	03DEC07
CHECK	RJ	03DEC07
THIS DRAWING COVERS A PROPRIETARY ITEM AND IS THE PROPERTY OF HONEYWELL. THIS DRAWING IS NOT TO BE COPIED OR USED WITHOUT THE PERMISSION OF HONEYWELL.		
INTERPRET PER ASME Y14.5M-1994 OTHER HONEYWELL ENGINEERING STANDARDS MAY APPLY		
AutoCAD		

Honeywell				
TITLE SWITCH - BASIC				
SIZE	TYPE	CAGE CODE	DRAWING NAME	REV
B	I		V15T16-CZ100-K	B
SCALE			SHEET	1 OF 1